
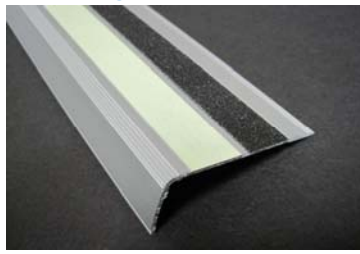
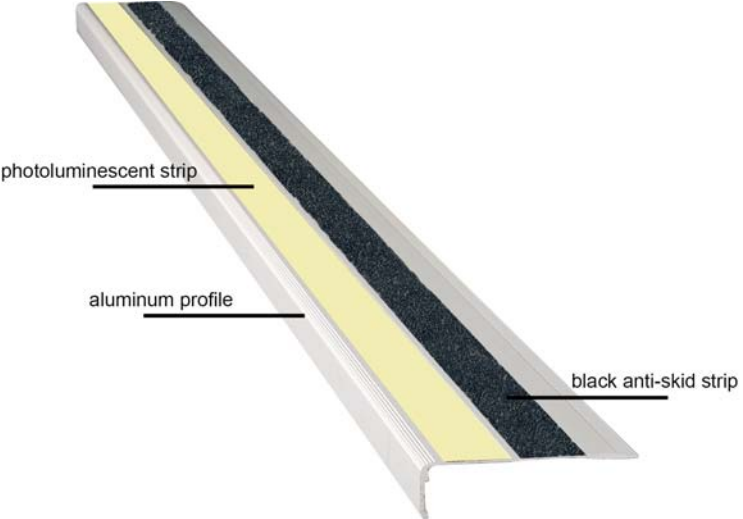
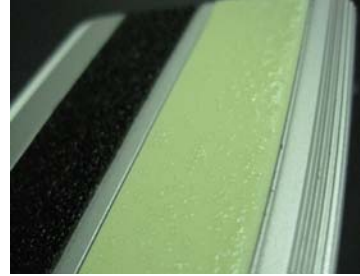


UL1994-listed by Underwriters Laboratories:
Photoluminescent Egress Path Marking
System Component

Aluminum Stair Nosing

Item-Nos.: 83-40447L in 4-foot

83-40447L-XX **custom**

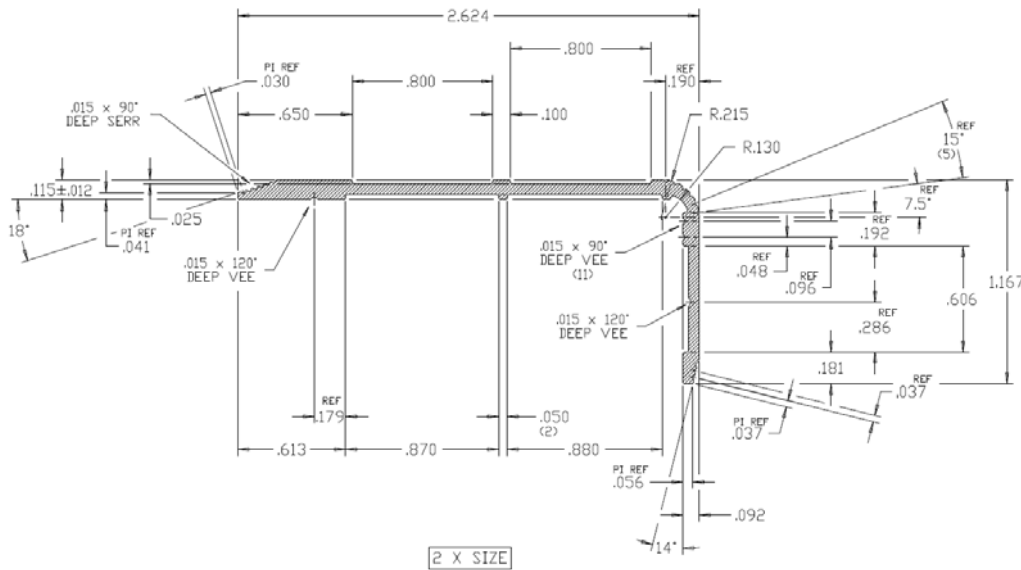
Item-No:	Description:	Dimensions:
<p>83-40447L</p> <p>83-40447L-XX</p>	<p>90° angled extruded Aluminum Stair Nosing with 3/4-inch photoluminescent CC-ALU abrasive Anti-Skid Aluminum insert and 3/4-inch black abrasive Anti-Slip strip insert. *** Suitable for Stair Nosing/Floor use. Typical Leading Edge + Step Surface Mounting Option: Using Construction Adhesive (e.g., Loctite Heavy Duty 375) Alternatively, in rare occasion, using screws through pre-drilled holes, counter-sunk into channel for black anti-skid, nosing supported and cushioned by Construction Adhesive.</p>  <p>UL Model-Number: CC-NOSING</p> <p>Custom-Lengths available, where XX indicates the extruded length, such as: 83-40447L-54 for 54-inch long extrusions</p>	<p>Standard Size: 2-5/8-inch x 1-1/8-inch x 4 feet</p> <p>Custom-Length by building project</p> 
	 <p>photoluminescent strip</p> <p>aluminum profile</p> <p>black anti-skid strip</p>	 <p>Anti-Skid Photoluminescent Aluminum Surface close-up</p>

UL1994-listed by Underwriters Laboratories:
Photoluminescent Egress Path Marking
System Component

Aluminum Stair Nosing

Item-No.: 83-40447L

83-40447L-XX



with NYC Labeling: Permalight UL1994-listed 83-40447L

Typical Use

Photoluminescent Egress Path Marking System Component

- ✓ In compliance with **IBC** 2009 + 2012 Section 1024; 2015 + 2018 Section 1025 'Luminous Egress Path Markings'
- ✓ In compliance with **NYC Local Law 141**
- ✓ In compliance with **NFPA 101-Life Safety Code** Section 7.2.2.5.5 'Exit Stair Path Markings'
- ✓ **UL1994-listed** by Underwriters Laboratories, Inc. to 'Standard for Luminous Egress Path Marking Systems' as Model: CC-NOSING 'Suitable for Wall & Stair Nosing/ Floor Use': **Listed in half-inch (= 1/2") photoluminescent strip width !!!**
- ✓ **UL410-listed** to Standard for Slip Resistance of Floor Surface Materials
- ✓ **California Building Code compliant** as "Striping for the Visually Impaired"
- ✓ **Activation by LED and Fluorescent Lighting**

Ideal as

- Step Nosing and Leading Edge of Landing Marking **on firm Step Surfaces**, such as Concrete, Tile, etc.
- on **Diamond Plated Surfaces**
- on **Carpeted Surfaces**