

**Installation Instructions**  
**for PERMALIGHT® Colored Aluminum Sign**  
**in a matching Colored Aluminum Frame**  
**and Photoluminescent Lettering: EXIT**  
Letter Height: 7 inches

**READ AND FOLLOW ALL SAFETY INSTRUCTIONS**

**Activation:** minimum 5 foot candles (54 lux) of unfiltered fluorescent lighting for 60 minutes.  
**CAUTION : EXTERNAL ILLUMINATION SOURCE REQUIRED**

- Install PERMALIGHT® photoluminescent EXIT signs only in locations, where an external illumination source is present, is deemed reliable and is supplied by a circuit not controlled by automatic timers or sensors, and whose controls are accessible only to authorized personnel. This reliable external illumination source is to be energized at all times during building occupancy!
- Should any changes in your external lighting types or lighting levels occur, make sure that the PERMALIGHT® photoluminescent EXIT sign is still being illuminated with minimum 5 foot candles (54 lux) of unfiltered fluorescent lighting.
- Periodically clean the PERMALIGHT® photoluminescent EXIT sign face with non-abrasive cloth dampened with water. Do not use any thinners or chemical solvents on the sign face.
- Check with your applicable installation codes (such as NFPA 101 – Life Safety Code) to perform periodic visibility tests.
- PERMALIGHT® photoluminescent EXIT signs are intended for INDOOR use only. Do not expose to direct sunlight, liquid spray, or temperatures outside the range 10° C – 40° C (50° – 104° F).

Viewing Distance: 50 foot viewing distance

**SAVE THESE INSTRUCTIONS**

Installation: turn page over for instructions for perpendicular wall or ceiling mount.

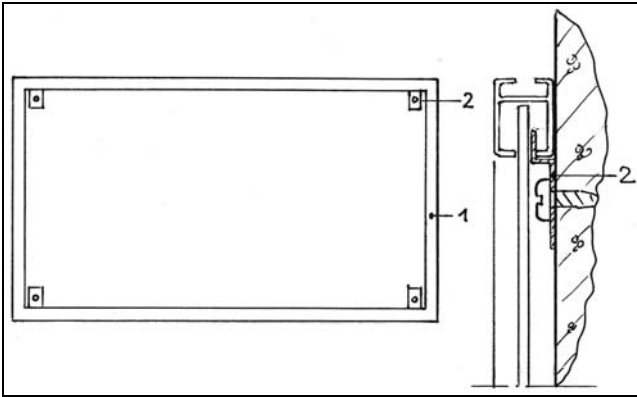
Directional Indicators: 2 directional indicators are supplied with each sign. If your PERMALIGHT® EXIT sign is to be located other than directly over an exit, apply a directional indicator to the left of the E, pointing left, or to the right of the T, pointing right, or both, as appropriate.

Item-No.:	Description
600025	Red Panels in red frame, 7" EXIT with extra two directional indicators
600026	Green Panels in green frame, 7" EXIT with extra two directional indicators
600027	Black Panels in black frame, 7" EXIT with extra two directional indicators

Sign Kit includes: 1 colored Aluminum Frame, 1 EXIT panel + 2 colored panels + 2 directional indicator panels,  
2 white backing panels, 4 tabs for flat wall mount, 4 screws, 4 anchors, 1 Allen wrench.

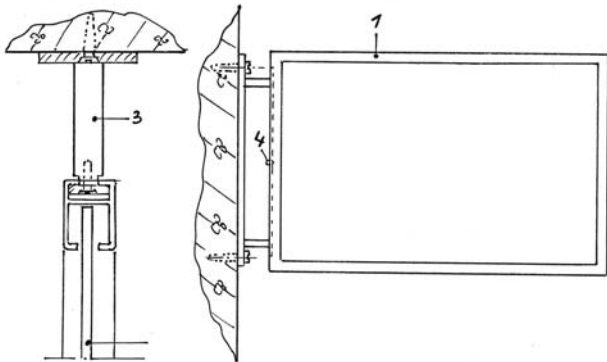
Item-No.:	Optional Accessories
600055	Silver-colored Aluminum Bracket for ceiling or perpendicular wall mount; 1.5"
600056	10" Extended Length Silver-colored Aluminum Bracket for ceiling mount
600057	19.5" Extended Length Silver-colored Aluminum Bracket for ceiling mount

**Installation Instructions, continued**  
**for PERMALIGHT® Colored Aluminum Sign**  
**in an Aluminum Frame with Photoluminescent Lettering: EXIT**



**Flat Wall Mount**

- Open the PERMALIGHT® frame by loosening the two socket set screws (do not fully remove the small screws) using the Allen wrench supplied inside the packing unit. Remove the aluminum side bar. Remove all three aluminum EXIT sign panels and their white backing panel.
- Position empty frame in its intended installation location.
- Using a level, confirm accurate positioning of frame (1). Temporarily secure frame in its location using masking tape.
- Position one tab in each of the two upper corners: mark location of tabs (2) using a pencil.
- Drill two holes, insert anchors, affix tabs using screws supplied inside packing unit.
- Hang empty frame onto the two upper tabs. Now mark location of the two lower tabs (2), drill two holes, insert anchors and affix two lower tabs as well.
- The frame is now hanging firmly on the upper and lower tabs, remove the temporarily used masking tape. Insert two white backing panels into frame.
- Next insert in the front:  
either a blank panel or a directional indicator panel (if necessary),  
then the EXIT panel, and finally  
either a blank panel or a directional indicator panel (if necessary).
- Close the open side of the frame by sliding on the aluminum side bar back in place. Tighten the socket set screws using the Allen wrench.
- Wipe off any fingerprints using a non-abrasive damp cloth.



**Ceiling Mount or Perpendicular Wall Mount**

- Position bracket (3) in desired location under the ceiling or on the wall, mark its two screw holes with a pencil, then drill the holes, insert the anchors and affix the bracket with the two screws supplied inside the exit sign packing unit.
- For CEILING MOUNT, open the EXIT sign frame side bar (1) by loosening the two socket set screws (do not fully remove the small screws) using the Allen wrench supplied. For PERPENDICULAR WALL MOUNT, open and remove the upper frame bar.
- While the aluminum frame is open, insert two white backing panels into frame.
- Next insert in the front:  
either a blank panel or a directional indicator panel (if applicable for sign location),  
then the EXIT panel, and finally  
either a blank panel or a directional indicator panel (if applicable for sign location).
- If you are installing a double-sided sign, you only require one white backing panel in between the front and back exit sign panels.
- Now slide the silver-colored bracket (3) into the frame bar and tighten the center socket set screw (4) with the Allen wrench.
- Close the open side of the frame by sliding the aluminum bar back in place. Tighten the two socket set screws using the Allen wrench.
- Once the frame is closed, wipe off any fingerprints using a non-abrasive damp cloth.